

PLEASE READ AND FOLLOW ALL WARNINGS



UT8766S

7" ANGLE SANDER

Read Operating Instructions

Always become familiar with all the instructions and warnings before operating any power tool.



Always Wear Approved Eye Protection

Impact resistant eye protection should meet or exceed the standards as set forth in the United States ANSI Z87.1, Occupational and Educational Eye and Face Protection. Look for the marking Z87.1 on your eye protection to insure that it is an approved style. For further information, ANSI Z87.1, Occupational and Educational Eye and Face Protection, is available from the American National Standards Institute, Inc., 11 West 42nd Street, New York, NY 10036.



Hearing Protection is Recommended

Hearing protection should be used when the noise level exposure equals or exceeds an 8 hour time-weighted average sound level of 85 dBA. Process noise, reflective surfaces, other tools being operated nearby, all add to the noise level present in your work area. If you are unable to determine your noise level exposure, we recommend the use of hearing protection.



Avoid Prolonged Exposure to Vibration

Tools can vibrate during use. Prolonged exposure to vibration or very repetitive hand and arm movements, can cause injury. Stop using any tool if discomfort, tingling feeling or pain occurs. You should consult your physician before resuming use of the tool.



90 PSIG Maximum

This tool is designed to operate at

an air pressure of 90 pounds per square inch gauge pressure (90 PSIG) maximum, at the tool. Use of higher air pressure can, and may cause injury. Also, the use of higher air pressure places the internal components under loads and stresses they were not designed for, causing premature failure. The air supply should be clean and dry, preferably lubricated. For best results, drain the moisture from your compressor daily.

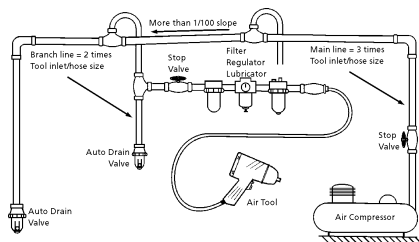
WARNING:

ONLY USE ACCESSORIES THAT ARE RATED TO RUN AT THE MAXIMUM SPEED (RPM) OR LOWER.

Some dust created by power sanding, sawing, grinding, drilling, and other construction activities contains chemicals known to cause cancer, birth defects or reproductive harm. Some examples of these chemicals are:

- Lead from lead-based paints
- Crystalline silica from bricks, cement and other masonry products
- Arsenic and chromium from chemically treated lumber

Your risk from these exposures varies, depending on how often you do this type of work. To reduce your exposure to these chemicals, work in a well-ventilated area and work with approved safety equipment such as those dust masks that are specially designed to filter out microscopic particles.



Description

Universal Tool 7" angle sander has a powerful 1.7 horsepower motor and is ideal for all sander applications. Includes a side handle for increased operator control and rear exhaust.



Safety Instructions

The following instructions are furnished as general guidelines for use of your pneumatic tool. They cannot comprehensively cover all possible or conceivable uses of the subject tool. For additional information on the safe use of air tools, we advise you to obtain a copy of ANSI B186.1 Safety Code for Portable Air Tools, available from the following source:

American National Standards Institute, Inc.
11 West 42nd Street
New York, NY 10036.

The use of the word "shall" in the following instructions, indicates that adherence to the particular requirement is necessary to conform to ANSI B186.1.

Tool Application and Usage

Portable tools shall be used only for the purposes intended in their design and within the capacity for which they were intended and rated. It shall be the tool owner's and/or employer's responsibility to instruct each operator in the safe use of the tool. Tools shall not be used without guards and safety

devices as furnished by the manufacturer. Where an air tool is modified or altered, the modifier shall provide the safeguards to enable it to be safely used in the operations intended and to comply with any applicable provisions as contained in ANSI B186.1.

Tool Installation

Pressure regulators shall be used to limit air pressure to the rated pressure where the supply pressure exceeds the tool's rated pressure. Air hoses and lines shall be relieved of compressed air before being disconnected or disjoined, unless there is automatic valve closing protection at the joint being separated. Synthetic lubricants which can cause deterioration of elastomer seals shall not be used in air systems of air tools.

Tool Maintenance

It shall be the tool owner's and/or employer's responsibility to assure that tools are maintained in a safe operating condition. Tool maintenance and repair shall be performed by authorized, trained, competent personnel. Tools shall be disconnected from their compressed air supply before repairs are attempted. Repairs shall be consistent with the manufacturer's recommended procedures. Tool, hoses and fittings shall be replaced if unsuitable for safe operation. It shall be the tool owner's and/or employer's responsibility to keep required rating markings and warnings on the tool in legible condition.

Universal Tool
A Division of Florida Pneumatic Manufacturing Corporation
851 Jupiter Park Lane, Jupiter, Florida 33458
Toll Free 1-800-327-9403

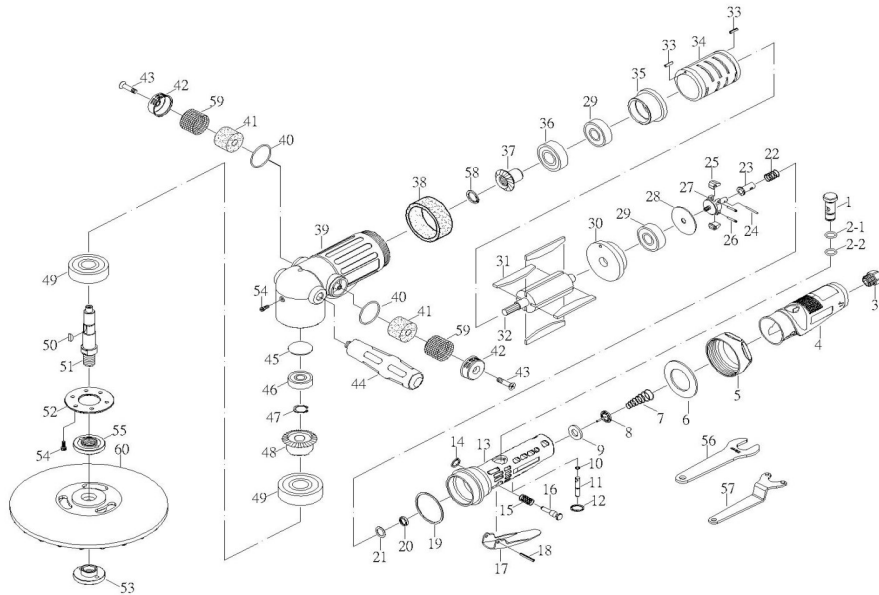
Read these instructions carefully before attempting to install, operate or service this Florida Pneumatic product. Failure to comply with the instructions could result in personal injury and/or property damage! Retain these instructions for future reference.

FPMC

PL0233

Specifications

Max Wheel Size.....	7"
Spindle size.....	5/8"-11
Free speed	7,500 RPM
Weight.....	6.6 lbs.
Length.....	12-1/2"
Average air consumption.....	10 CFM
Recommended hose size.....	1/2" I.D.
Air inlet.....	3/8" NPT
Maximum air pressure.....	90 psi

Parts Breakdown for UT8766S

Replacement Parts for UT8766S

NO	PART NO	DESCRIPTION	NO	PART NO	DESCRIPTION
1	987001	REGULATOR	30	987030	REAR PLATE
2-1	90B-02	O-RING	31	987031	ROTOR BLADE (4)
2-2	9288303	O-RING	32	987032	ROTOR
3	987003	INLET BUSHING	33	981326	PIN (2)
4	987004	HOUSING COVER	34	987034	CYLINDER
5	987005	CLAMP NUT	35	987035	FRONT PLATE
6	987006	WASHER	36	9870408	BEARING
7	987007	SPRING	37	987037	BEVEL GEAR
8	987008	VALVE	38	987038	SILENCER
9	987009	WASHER	39	987039	ANGLE HOUSING
10	90B-04	O-RING	40	9870011	O-RING (2)
11	9288306	VALVE STEM	41	987041	SILENCER (2)
12	90B-03	SNAP RING	42	9AGD100-22	EXHAUST SLEEVE (2)
13	987013	HOUSING	43	987043	SCREW (2)
14	987014	SNAP RING	44	987044	HANDLE
15	987015	SPRING	45	987045	SPACER
16	987016	LEVER PIN	46	987046	BEARING
17	987017	LEVER	47	987047	RETAINING RING
18	987018	PIN	48	987048	BEVEL GEAR
19	987019	WASHER	49	987049	BEARING (2)
20	987020	SPRING HOLDER	50	987050	KEY
21	987021	WASHER	51	987051	SHAFT
22	987022	SPRING	52	987052	FACE PLATE
23	987023	GOVERNOR VALVE	53	9870S53	DISC NUT
24	987024	PIN	54	92HG4-32	SCREW (7)
25	987025	GOVERNOR WEIGHT (2)	55	987055	DISC NUT
26	987026	GOVERNOR PIN (2)	56	987056	STOP SPANNER
27	987027	GOVERNOR CAGE	57	987057	DISC SPANNER
28	987028	WASHER	58	987058	SNAP RING
29	987029	BEARING (2)	59	987059	STAINLESS MESH (2)
			60	9870S60	BACKING PAD

Limited Warranty

Universal Tool warrants its tools to be free from defects in material and workmanship for one year from the date of purchase. This warranty does not apply to tools which have been abused, misused, modified or repaired by someone other than Universal Tool or its authorized service centers. If a Universal Tool proves defective in material of workmanship within one year after purchase, return it to any authorized service center or to Universal Tool, freight prepaid. Please enclose your name, address and adequate proof of purchase date with a brief description of the defect. Universal Tool will, at its option, repair or replace defective tools, free of charge. Repairs or replacements are warranted as described above for the remainder of the warranty period. Universal Tool's sole liability and your exclusive remedy under this warranty is limited to repair or replacement of the defective tool. There are no other warranties expressed or implied and Universal Tool shall not be liable for incidental, consequential or special damages, or any other damages, costs or expense of repair or replacement as described above.