

PLEASE READ AND FOLLOW ALL WARNINGS

Universal Tool

UT1010C

1" STRAIGHT IMPACT WRENCH

Read Operating Instructions

Always become familiar with all the instructions and warnings before operating any power tool.

Always Wear Approved Eye Protection

Impact resistant eye protection should meet or exceed the standards as set forth in the United States ANSI Z87.1, Occupational and Educational Eye and Face Protection. Look for the marking Z87.1 on your eye protection to insure that it is an approved style. For further information, ANSI Z87.1, Occupational and Educational Eye and Face Protection, is available from the American National Standards Institute, Inc., 11 West 42nd Street, New York, NY 10036.

Hearing Protection is Recommended

Hearing protection should be used when the noise level exposure equals or exceeds an 8 hour time-weighted average sound level of 85 dBA. Process noise, reflective surfaces, other tools being operated nearby, all add to the noise level present in your work area. If you are unable to determine your noise level exposure, we recommend the use of hearing protection.

Avoid Prolonged Exposure to Vibration

Tools can vibrate during use. Prolonged exposure to vibration or very repetitive hand and arm movements, can cause injury. Stop using any tool if discomfort, tingling feeling or pain occurs. You should consult your physician before resuming use of the tool.

90 PSIG Maximum

This tool is designed to operate at

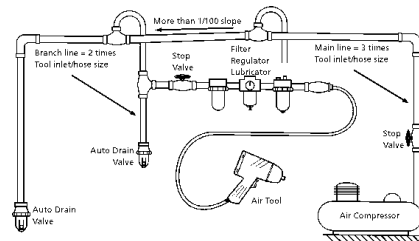
an air pressure of 90 pounds per square inch gauge pressure (90 PSIG) maximum, at the tool. Use of higher air pressure can, and may cause injury. Also, the use of higher air pressure places the internal components under loads and stresses they were not designed for, causing premature failure. The air supply should be clean and dry, preferably lubricated. For best results, drain the moisture from

WARNING:

Some dust created by power sanding, sawing, grinding, drilling, and other construction activities contains chemicals known to cause cancer, birth defects or reproductive harm. Some examples of these chemicals are:

- Lead from lead-based paints
- Crystalline silica from bricks, cement and other masonry products
- Arsenic and chromium from chemically treated lumber

Your risk from these exposures varies, depending on how often you do this type of work. To reduce your exposure to these chemicals, work in a well-ventilated area and work with approved safety equipment such as those dust masks that are specially designed to filter out microscopic particles.



Description

The Universal Tool professional tools feature alloy steel hammer cases that are machined from solid bar, not drawn or cast. The model number is laser etched on the hammer case for permanent identification. There is a high power to weight ratio, plus 100% parts interchangeability to the equivalent competitor's tool. The features include steel hammer case and three piece housing construction for ease of maintenance. Also included are an adjustable power regulator, ergonomic handle and a sound reducing muffler.



Safety Instructions

The following instructions are furnished as general guidelines for use of your pneumatic tool. They cannot comprehensively cover all possible or conceivable uses of the subject tool. For additional information on the safe use of air tools, we advise you to obtain a copy of ANSI B186.1 Safety Code for Portable Air Tools, available from the following source:

American National Standards Institute, Inc.
11 West 42nd Street
New York, NY 10036.

The use of the word "shall" in the following instructions, indicates that adherence to the particular requirement is necessary to conform to ANSI B186.1.

Tool Application and Usage

Portable tools shall be used only for the purposes intended in their design and within the capacity for which they were

intended and rated. It shall be the tool owner's and/or employer's responsibility to instruct each operator in the safe use of the tool. Tools shall not be used without guards and safety devices as furnished by the manufacturer. Where an air tool is modified or altered, the modifier shall provide the safeguards to enable it to be safely used in the operations intended and to comply with any applicable provisions as contained in ANSI B186.1.

Tool Installation

Pressure regulators shall be used to limit air pressure to the rated pressure where the supply pressure exceeds the tool's rated pressure. Air hoses and lines shall be relieved of compressed air before being disconnected or disjointed, unless there is automatic valve closing protection at the joint being separated. Synthetic lubricants which can cause deterioration of elastomer seals shall not be used in air systems of air tools.

Tool Maintenance

It shall be the tool owner's and/or employer's responsibility to assure that tools are maintained in a safe operating condition. Tool maintenance and repair shall be performed by authorized, trained, competent personnel. Tools shall be disconnected from their compressed air supply before repairs are attempted. Repairs shall be consistent with the manufacturer's recommended procedures. Tool, hoses and fittings shall be replaced if unsuitable for safe operation. It shall be the tool owner's and/or employer's responsibility to keep required rating markings and warnings on the tool in legible condition.

Universal Tool
A Division of Florida Pneumatic Manufacturing Corporation
851 Jupiter Park Lane, Jupiter, Florida 33458
Toll Free 1-800-327-9403

Read these instructions carefully before attempting to install, operate or service this Florida Pneumatic product. Failure to comply with the instructions could result in personal injury and/or property damage! Retain these instructions for future reference.

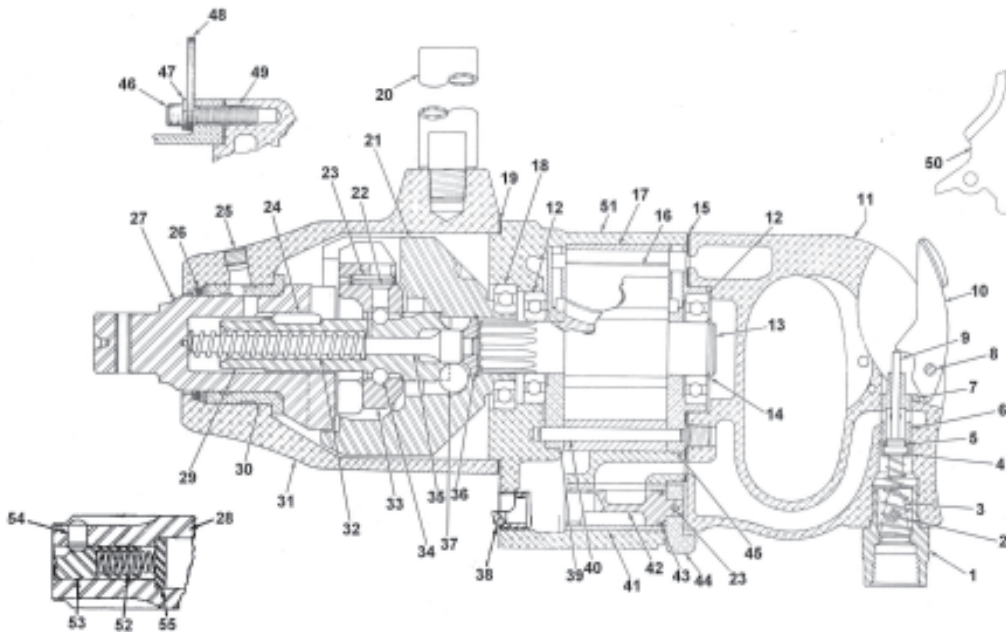
FPMC

Specifications:

Shank	1"
Speed.....	6,000 RPM
Working Torque.....	276-950 ft. lbs.
Max. Torque	1,350 ft. lbs.
Weight.....	20.5 lbs.
Overall length.....	13"
Average air consumption.....	14.8 CFM
Recommended hose size.....	1/2" I.D.
Air inlet.....	3/8" NPT
Maximum operating pressure.....	.90 psi

Parts Breakdown for UT1010C
USE ONLY IMPACT SOCKETS & ACCESSORIES

Sockets and accessories used shall be of the impact socket type. Always check sockets, retainers and drives regularly for wear or damage and replace whenever necessary


Replacement Parts for UT1010C

REF#	PART#	DESCRIPTION
1	C-094354	THROTTLE CAP
2	C-088079	THROTTLE VALVE SPRING
3	C-087505	AIR SCREEN
4	CA-050751	O RING RETAINER
5	C-100130	O RING .010
6	C-069010	THROTTLE VALVE BUSHING
7	P-072359	TRIGGER STOP PIN
8	C-036430	TRIGGER PIN
9	C-091633	THROTTLE VALVE
11	C-091195	OUTSIDE TRIGGER HANDLE (INCL. #6)
12	C-075812	BALL BEARING
13	C-091207	ROTOR
14	S-082566	RETAINING RING
15	C-091198	COVER GASKET
16	C-091203	ROTOR BLADES
17	C-083329	LINER
18	C-083351	BALL BEARING
19	C-091197	CLUTCH HOUSING GASKET
20	C-039423	DEAD HANDLE
21	C-109735	HAMMER
22	C-109731	RETAINER PIN
23	G-071613	ROLL PIN
24	C-109729	ANVIL ROLLER
25	C-054897	PIPE PLUG
26	C-042123	QUAD RING
28	C-094895	#5 SPLINE ANVIL (INCL. #51, 52, 53, 54)
29	C-109734	SPINDLE
30	C-091184	ANVIL BUSHING
31	C-094479	CLUTCH HOUSING (INCL. #25, 26, 30)
32	C-091187	DOG RELEASE SPRING
33	C-109733	CLUTCH DOG
34	S-005946	BALL
35	C-109728	THRUST PIN
36	C-109732	THRUST FLANGE
37	P-004254	BALL
38	C-091826	EXHAUST DEFLECTOR
39	C-083331	LOWER END PLATE
40	C-083337	CYLINDER DOWEL
41	C-088482	REVERSE VALVE BUSHING
42	C-106819	REVERSE VALVE
43	CA-083354	O RING
44	C-068664	REVERSE LEVER
45	C-083330	UPPER END PLATE
46	C-065376	SCREW
47	S-000271	LOCKWASHER
48	C-091202	BAIL
49	C-094476	HELI-COIL
50	C-063747	INSIDE TRIGGER
51	C-091172	MOTOR HOUSING ASSEMBLY (INCL. #41)
52	C-047618	PLUNGER SPRING
53	C-047619	LOCK PLUNGER
54	C-047620	LOCK BUTTON
55	CA-094789	PLUG

Limited Warranty

Universal Tool warrants its tools to be free from defects in material and workmanship for one year from the date of purchase. This warranty does not apply to tools which have been abused, misused, modified or repaired by someone other than Universal Tool or its authorized service centers. If a Universal Tool proves defective in material of workmanship within one year after purchase, return it to any authorized service center or to Universal Tool, freight prepaid. Please enclose your name, address and adequate proof of purchase date with a brief description of the defect. Universal Tool will, at its option, repair or replace defective tools, free of charge. Repairs or replacements are warranted as described above for the remainder of the warranty period. Universal Tool's sole liability and your exclusive remedy under this warranty is limited to repair or replacement of the defective tool. There are no other warranties expressed or implied and Universal Tool shall not be liable for incidental, consequential or special damages, or any other damages, costs or expense of repair or replacement as described above.